

# HIP MONTHLY DASHBOARD

COB Wednesday September 30, 2009 | Year 2, Day 273 | Day 639 of Project

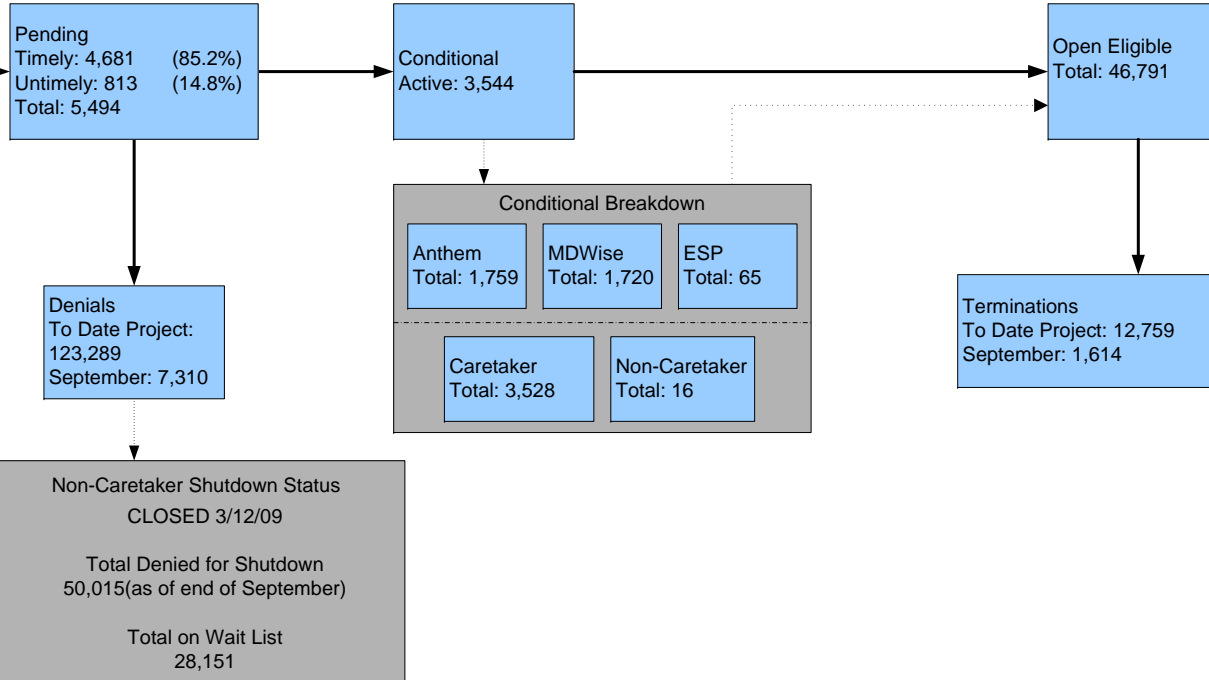


## Submitted Applications (Data provided by IBM)

Valid Applications  
Total: 168,546

Applications Invalid: 10,576  
Duplicates: 22,597

## Eligibility Status for Individuals (Data provided by ICES)



## Benefit Period Details

**Redeterminations**

Month-September.  
Total: 3,743  
Eligible  
2,436 (65.1%)  
Not Eligible  
1,237 (33.0%)  
In Process  
70 (1.9%)

YTD 2009 (9 Months)  
Total: 26,357  
In Process: 1,401(5.3%)  
Not Submitted:  
3,629 (13.8%)  
Submitted:  
21,327 (80.9%)  
Eligible of the Submitted:  
15,935(74.7%)  
Not Eligible of the Submitted:  
5,309 (25.3%)

## Denials

### Top 5 – September 2009

1. Non-Caretaker cap reached
2. Did not verify income
3. Insurance already with employer
4. Insurance within last six months
5. Did not pay initial PAC

### Top 5 – Year to Date 2009

1. Non-Caretaker cap reached
2. Did not pay Initial PAC
3. Did not verify income
4. Insurance within last six months
5. Insurance already with employer

\*PAC–POWER Account Contribution

## Enrollee Details (Data provided by EDS) Based on 10/1/2009 Report

### Total Enrolled

Total: 46,059  
Anthem: 30,076 (65.3%)  
MDwise: 15,510 (33.7%)  
ESP: 473 (1.0%)

### FPL Description

<=100 32,855 (71.3%)  
101-125 4,965 (10.8%)  
126-150 3,704 (8.0%)  
>150 4,535 (9.8%)

### Zero Contributions

29.0% of total Fully Eligibles  
Current (September) 13,345  
<=100% FPL: 13,278  
101-125% FPL: 39  
126-150% FPL: 17  
>150% FPL: 11

### Employer Contributions

Anthem: \$55,342  
MDWise : \$1,026  
ESP: \$92

### Age

< 20: 3 (0.0%)  
20-29: 8,076 (17.5%)  
30-39: 11,256 (24.4%)  
40-49: 12,727 (27.6%)  
50-59: 10,329 (22.4%)  
60-64: 3,668 (7.9%)

### Sex

M: 17,005 (36.9%)  
F: 29,054 (63.1%)

### Race

Asian 476 (1.0%)  
Black 5,774 (12.5%)  
Hispanic 1,281 (2.8%)  
Indian 31 (0.1%)  
Other 714 (1.6%)  
White 37,783 (82.0%)

### Caretaker Adult

Yes: 21,517 (46.7%)  
No: 24,452 (53.3%)

Enrollee Detail Data Will Differ From Open Eligible Data

## Terminations

### Top 5 – September 2009

1. ReDeterm Packet not returned
2. Failure to pay POWER account
3. Currently has other health ins.
4. Has open Medicaid
5. Failure to verify income

### Top 5 – Year to Date 2009

1. Failure to pay POWER Account
2. Move to a Medicaid category
3. Member becomes pregnant
4. Insurance now through employer
5. Member enrolled in Medicare

\*PAC–POWER Account Contribution